

## DS-2DE5225IW-AE (E) 2 MP 25 × Network IR Speed Dome



Hikvision DS-2DE5225IW-AE (E) 2MP 25× Network IR Speed Dome adopts 1/2.8" progressive scan CMOS chip. With the 25 × optical zoom lens, the camera offers more details over expansive areas.

This series of cameras can be widely used for wide ranges of high-definition, such as the rivers, roads, railways, airports, squares, parks, scenic spots, and venues, etc.

### Key Features

- 1/2.8" progressive scan CMOS
- Up to 1920 × 1080@30fps resolution
- Min. illumination:  
Color: 0.005 Lux @(F1.6, AGC ON)  
B/W: 0.001 Lux @(F1.6, AGC ON)  
0 Lux with IR
- 25 × optical zoom, 16 × digital zoom
- WDR, HLC, BLC, 3D DNR, Defog, EIS, Regional Exposure, Regional Focus
- Up to 150 m IR distance
- 24 VAC & Hi-PoE
- Support H.265+/H.265 video compression
- Audio input/output
- Alarm input/output



## Specification

| Camera Module         |   |
|-----------------------|---|
| Image Sensor          | 1/2.8" progressive scan CMOS  |
| Min. Illumination     | Color: 0.005 Lux @(F1.6, AGC ON)<br>B/W: 0.001Lux @(F1.6, AGC ON)<br>0 Lux with IR  |
| White Balance         | Auto/Manual/ATW (Auto-tracking White Balance)/Indoor/Outdoor/Fluorescent Lamp/Sodium Lamp   |
| Gain                  | Auto/Manual   |
| Shutter Time          | 50Hz: 1/1 s to 1/30,000 s<br>60Hz: 1/1 s to 1/30,000 s  |
| Day & Night           | IR Cut Filter   |
| Digital Zoom          | 16 ×  |
| Privacy Mask          | 24 programmable privacy masks, mask color configurable  |
| Focus Mode            | Auto/Semi-automatic/Manual  |
| WDR                   | 120 dB WDR  |
| Lens                  |   |
| Focal Length          | 4.8 mm to 120 mm, 25× optical zoom  |
| Zoom Speed            | Approx. 3.6 s (optical lens, wide-tele)   |
| Field of View         | Horizontal field of view: 57.6° to 2.5° (Wide-Tele)<br>Vertical field of view: 34.4° to 1.4° (Wide-Tele)<br>Diagonal field of view: 64.5° to 2.9° (Wide-Tele) |
| Working Distance      | 10 mm to 1500 mm (wide-tele)  |
| Aperture Range        | F1.6 to F3.5  |
| IR                    |   |
| IR Distance           | 150 m   |
| Smart IR              | Yes   |
| PTZ                   |   |
| Movement Range (Pan)  | 360° endless  |
| Pan Speed             | Configurable, from 0.1°/s to 120°/s<br>Preset speed: 120°/s   |
| Movement Range (Tilt) | From -15° to 90° (auto-flip)  |
| Tilt Speed            | Configurable, from 0.1°/s to 80°/s<br>Preset Speed: 80°/s   |
| Proportional Zoom     | Yes   |
| Presets               | 300   |
| Patrol Scan           | 8 patrols, up to 32 presets for each patrol   |
| Pattern Scan          | 4 pattern scans, record time over 10 minutes for each scan  |
| Power-off Memory      | Yes   |
| Park Action           | Preset/Pattern Scan/Patrol Scan/Auto Scan/Tilt Scan/Random Scan/Frame Scan/Panorama Scan  |
| 3D Positioning        | Yes   |
| PTZ Position Display  | Yes   |
| Preset Freezing       | Yes   |
| Scheduled Task        | Preset/Pattern Scan/Patrol Scan/Auto Scan/Tilt Scan/Random Scan/Frame Scan/Panorama Scan/Dome Reboot/Dome Adjust/Aux Output                                   |
| Compression Standard  |   |
| Video Compression     | Main Stream: H.265+/H.265/H.264+/H.264<br>Sub-stream: H.265/H.264/MJPEG<br>Third Stream: H.265/H.264/MJPEG  |
| H.264 Type            | Baseline Profile/Main Profile/High Profile  |

|                               |   |
|-------------------------------|---|
| H.264+                        | Yes   |
| H.265 Type                    | Baseline Profile/Main Profile/High Profile  |
| H.265+                        | Yes   |
| Video Bitrate                 | 32 Kbps to 16384 Kbps   |
| Audio Compression             | G.711alaw/G.711ulaw/G.722.1/G.726/MP2L2/PCM   |
| Audio Bitrate                 | G.711alaw/G.711ulaw: 64 Kbps<br>G.722.1/G.726: 16 Kbps<br>MP212/PCM: 32 Kbps to 160 Kbps  |
| SVC                           | Yes   |
| <b>Smart Features</b>         |   |
| Basic Event                   | Motion Detection, Video Tampering Detection, Exception  |
| Smart Event                   | Intrusion Detection, Line Crossing Detection, Region Entrance Detection, Region Exiting Detection, Object Removal Detection, Unattended Baggage Detection, Audio Exception Detection  |
| Smart Record                  | ANR (Automatic Network Replenishment), Dual-VCA   |
| ROI                           | Main stream, sub-stream, and third stream respectively support four fixed areas.  |
| <b>Image</b>                  |   |
| Max. Resolution               | 1920 × 1080   |
| Main Stream                   | 50Hz: 25fps (1920 × 1080, 1280 × 960, 1280 × 720)<br>50fps (1280 × 960, 1280 × 720)<br>60Hz: 30fps (1920 × 1080, 1280 × 960, 1280 × 720)<br>60fps (1280 × 960, 1280 × 720)  |
| Sub-Stream                    | 50Hz: 25fps (704 × 576, 640 × 480, 352 × 288)<br>60Hz: 30fps (704 × 480, 640 × 480, 352 × 240)  |
| Third Stream                  | 50Hz: 25fps (1920 × 1080, 1280 × 960, 1280 × 720, 704 × 576, 640 × 480, 352 × 288)<br>60Hz: 30fps (1920 × 1080, 1280 × 960, 1280 × 720, 704 × 480, 640 × 480, 352 × 240)  |
| Image Enhancement             | HLC/BLC/3D DNR/Defog/EIS/Regional Exposure/Regional Focus   |
| <b>Network</b>                |   |
| Network Storage               | Built-in memory card slot, support Micro SD/SDHC/SDXC, up to 256 GB; NAS (NFS, SMB/CIFS), ANR   |
| Alarm Linkage                 | Alarm actions, such as Preset, Patrol Scan, Pattern Scan, Trigger Recording, Trigger Alarm Output, Notify Surveillance Center, Upload to FTP/Memory Card/NAS, Send Email, etc.  |
| Protocols                     | IPv4/IPv6, HTTP, HTTPS, 802.1x, Qos, FTP, SMTP, UPnP, SNMP, DNS, DDNS, NTP, RTSP, RTCP, RTP, TCP/IP, UDP, IGMP, ICMP, DHCP, PPPoE, Bonjour  |
| API                           | ONVIF (Profile S, Profile G, Profile T), ISAPI, SDK   |
| Simultaneous Live View        | Up to 20 channels   |
| User/Host                     | Up to 32 users<br>3 levels: Administrator, Operator and User  |
| Security Measures             | User authentication (ID and PW), Host authentication (MAC address); HTTPS encryption; IEEE 802.1x port-based network access control; IP address filtering   |
| Client                        | iVMS-4200, iVMS-4500, iVMS-5200, Hik-Connect  |
| Web Browser                   | IE 8 to 11, Chrome 31.0+, Firefox 30.0+, Edge 16.16299+   |
| <b>Interface</b>              |   |
| Network Interface             | 1 RJ45 10 M/100 M Ethernet, Hi-PoE  |
| Audio                         | 1-ch audio input, 2 to 2.4 V[p-p], 1 kΩ ± 10%<br>1-ch audio output, line level, impedance: 600 Ω  |
| Alarm                         | 2-ch alarm input/1-ch alarm output  |
| <b>General</b>                |   |
| Language (Web Browser Access) | 32 languages.<br>English, Russian, Estonian, Bulgarian, Hungarian, Greek, German, Italian, Czech, Slovak, French, Polish, Dutch, Portuguese, Spanish, Romanian, Danish, Swedish, Norwegian, Finnish, Croatian, Slovenian, Serbian, Turkish, Korean, Traditional Chinese, Thai, Vietnamese, Japanese, Latvian, Lithuanian, Portuguese (Brazil) |
| Power                         | 24 VAC, 2.2 A, 50/60Hz and Hi-PoE, 42.5 to 57 VDC, 1.41 A<br>Max.30 W, including Max. 10W for IR  |

|                     |  |
|---------------------|--|
| Working Temperature | -30°C to 65°C (-22°F to 149°F)   |
| Working Humidity    | ≤ 90%  |
| Protection Level    | IP66 Standard, 4000V Lightning Protection, Surge Protection and Voltage Transient Protection |
| Material            | ADC 12, PC, PC+10% GF  |
| Dimensions          | Φ 208 mm × 345 mm (Φ 8.19" × 13.58")   |
| Weight              | Approx. 3.3 kg (7.28 lb)   |

## DORI

The DORI (detect, observe, recognize, identify) distance gives the general idea of the camera ability to distinguish persons or objects within its field of view.

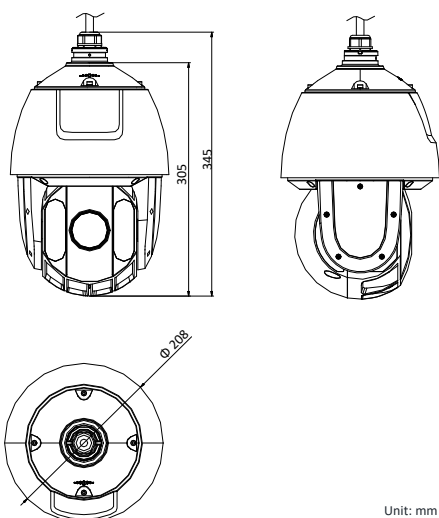
It is calculated based on the camera sensor specification and the criteria given by EN 62676-4: 2015.

| DORI            | Detect               | Observe             | Recognize           | Identify           |
|-----------------|----------------------|---------------------|---------------------|--------------------|
| Definition      | 25 px/m              | 63 px/m             | 125 px/m            | 250 px/m           |
| Distance (Tele) | 1600.0 m (5249.3 ft) | 634.9 m (2083.1 ft) | 320.0 m (1049.9 ft) | 160.0 m (524.9 ft) |

## Available Model

DS-2DE5225IW-AE (E), 24 VAC & Hi-PoE

## Dimensions



## Accessory

### Included



DS-1602ZJ

Wall Mount

### Optional



DS-1604ZJ-Box-Corner  
Wall Mount with Junction Box



DS-1604ZJ-Box  
Wall Mount with Junction Box



DS-1604ZJ  
Wall Mount



DS-1619ZJ  
Gooseneck Mount



DS-1682ZJ  
Extendable Pole for Pendant Mount



DS-1604ZJ-pole  
Vertical Pole Mount



DS-1604ZJ-Box-Pole  
Vertical Pole Mount with Junction Box



DS-1604ZJ-Corner  
Corner Mount



DS-1661ZJ  
Pendant Mount



DS-1663ZJ  
Ceiling Mount



DS-1681ZJ  
Installation Adapter



DS-1673ZJ  
Horizontal Pole Mount



DS-1660ZJ  
Parapet Wall Mount



DS-1662ZJ  
Pendant Mount



DS-1667ZJ  
Extendable Pole for Pendant Mount



HKA-A24250-230(EU)  
HKKD-12077(USA)  
HKA-A24250-230-BS(UK)  
PSE-A1525/5060(JP)  
Power Adapter



DS-1005KI  
USB Joy-stick



LAS60-57CN-RJ45  
Hi-PoE midspan



DS-1100KI  
Network Keyboard

*\*DS-1673ZJ should be used with DS-1661ZJ or DS-1602ZJ.*

Distributed by

**HIKVISION®****Headquarters**

No.555 Qianmo Road, Binjiang District,  
Hangzhou 310051, China  
T +86-571-8807-5998  
overseasbusiness@hikvision.com

**Hikvision USA**

T +1-909-895-0400  
sales.usa@hikvision.com

**Hikvision Australia**

T +61-2-8599-4233  
salesau@hikvision.com

**Hikvision India**

T +91-22-28469900  
sales@pramahikvision.com

**Hikvision Canada**

T +1-866-200-6690  
sales.canada@hikvision.com

**Hikvision Thailand**

T +662-275-9949  
sales.thailand@hikvision.com

**Hikvision Europe**

T +31-23-5542770  
sales.eu@hikvision.com

**Hikvision Italy**

T +39-0438-6902  
info.it@hikvision.com

**Hikvision Brazil**

T +55 11 3318-0050  
Latam.support@hikvision.com

**Hikvision Turkey**

T +90 (216)521 7070- 7074  
sales.tr@hikvision.com

**Hikvision Malaysia**

T +601-7652-2413  
sales.my@hikvision.com

**Hikvision UK & Ireland**

T +01628-902140  
sales.uk@hikvision.com

**Hikvision South Africa**

Tel: +27 (10) 0351172  
sale.africa@hikvision.com

**Hikvision France**

T +33(0)1-85-330-450  
info.fr@hikvision.com

**Hikvision Kazakhstan**

T +7-727-9730667  
nikia.panfilov@hikvision.ru

**Hikvision Vietnam**

T +84-974270888  
sales.vt@hikvision.com

**Hikvision UAE**

T +971-4-4432090  
salesme@hikvision.com

**Hikvision Singapore**

T +65-6684-4718  
sg@hikvision.com

**Hikvision Spain**

T +34-91-737-16-55  
info.es@hikvision.com

**Hikvision Tashkent**

T +99-87-1238-9438  
uzb@hikvision.ru

**Hikvision Hong Kong**

T +852-2151-1761  
info.hk@hikvision.com

**Hikvision Russia**

T +7-495-669-67-99  
saleru@hikvision.com

**Hikvision Korea**

T +82-(0)31-731-8817  
sales.korea@hikvision.com

**Hikvision Poland**

T +48-22-460-01-50  
info.pl@hikvision.com

**Hikvision Indonesia**

T +62-21-2933759  
Sales.Indonesia@hikvision.com

**Hikvision Colombia**

sales.colombia@hikvision.com